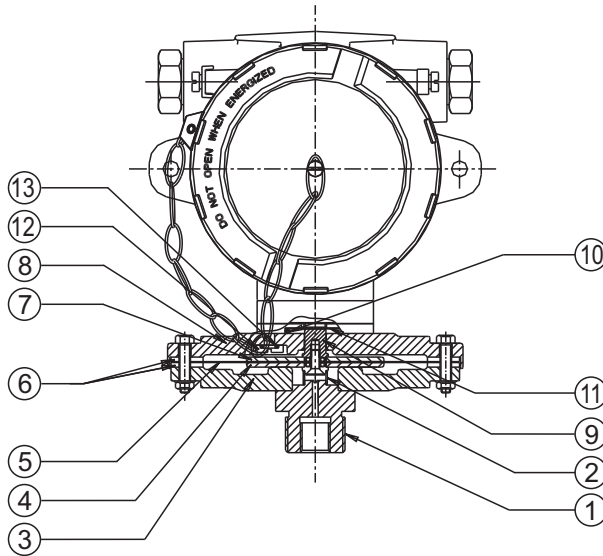




FE



PRESSURE CAPSULE DETAILS



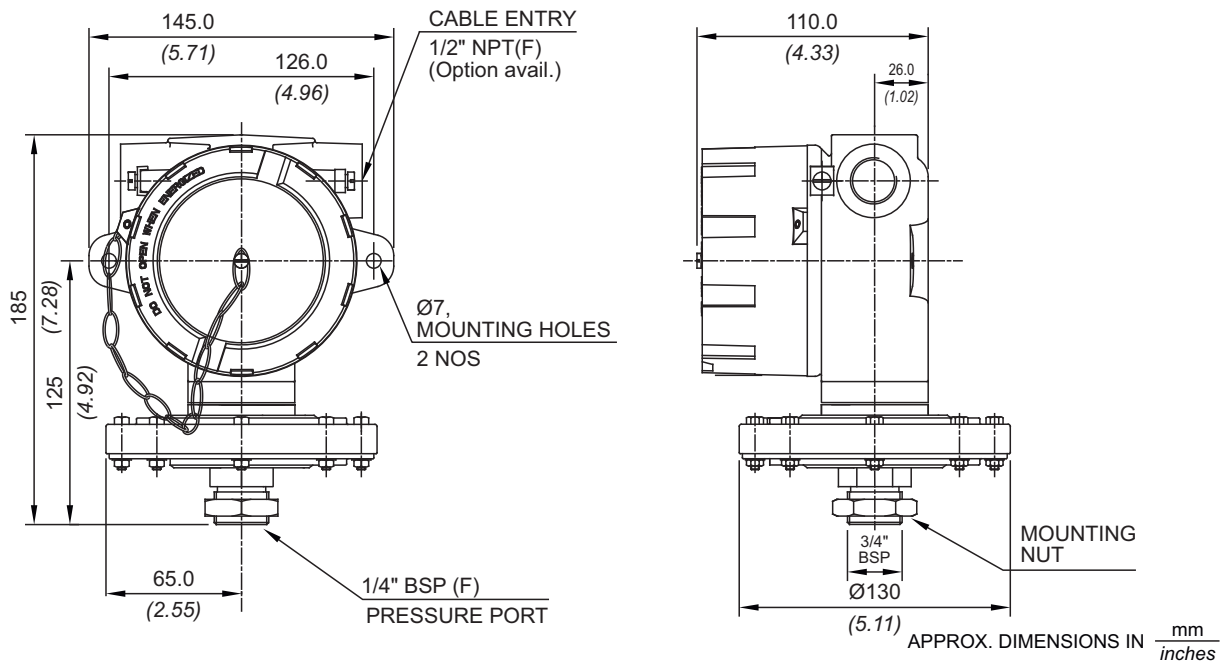
No. Description

1. Pressure port (S.S.)*
2. Support spring (S.S.)
3. Bottom flange (S.S.)*
4. Support plate (S.S.)
5. Diaphragm (Neoprene)
6. Gasket (Nitrile)
7. Top plate (S.S.)
8. Top flange (S.S.)*
9. Transfer pin (S.S.)
10. 'O' ring (Nitrile)
11. Sealing diaphragm (Nitrile)
12. Top flange screw (S.S.)
13. Sealing 'O' ring (Nitrile)

*Pressure ports are welded with flange

Note : *wetted parts* are mentioned in italics.

INSTALLATION DRAWING



FC/FE LOW RANGE HIGH PROOF PRESSURE SWITCHES

RANGE SELECTION TABLE

Range Code	Range mbar ("wc)	Differential* mbar (" wc)	Maximum Working Pressure bar (psi)
		Approximate Maximum for "A1" microswitch	
N02	1.5 to 15 (0.602 to 6.02)	3.0 (1.205)	20.0 (290.075)
N03	5 to 25 (2.009 to 10.046)	5.0 (2.009)	20.0 (290.075)
N05	10 to 50 (4.018 to 20.093)	5.0 (2.009)	20.0 (290.075)
N10	10 to 100 (4.018 to 40.186)	10.0 (4.018)	20.0 (290.075)
N15	10 to 150 (4.018 to 60.270)	10.0 (4.018)	20.0 (290.075)
N25	20 to 250 (8.03 to 100.460)	15.0 (6.027)	20.0 (290.075)
N35	50 to 350 (20.093 to 140.653)	35.0 (14.060)	20.0 (290.075)

Note:

1. The minimum differential increases with the setpoint. The differential values mentioned in the above table are approximate maximum for FSR. The differential value will vary according to the pressure range selected and microswitch type. For actual values of differential please contact sales office.

2. When using 2SPDT switching arrangement, both microswitches may not actuate and/or deactuate at the same point. A small stage gap, normally upto +/- 5% FSR (depending on range code) may be observed. The On-Off differential (hysteresis) typically tends to be atleast double of those published for 1SPDT pressure switches.

If actuation and/or deactuation at same point is critical part of operation, then it can be achieved by using a separate DPDT relay. This relay will need a separate power supply for it's coil.

HOW TO ORDER FLAMEPROOF LOW RANGE HIGH PROOF PRESSURE SWITCHES

Group 1	Group 2	Group 3	Group 4	Group 5	Group 6	Group 7	Group 8												
Non standard allocation	Model	Cable Entry Size	Switch Type	Range Code (values in mbar)	Microswitch Type	Pressure Port Material / Size	Diaphragm												
<p><input type="checkbox"/> A prefix "N" is used in the model code in case of any non standard options / accessories that are provided with the switches. Will be given by manufacturer, only after agreement of supply details with customer.</p> <p>The prefix is subject to change as per specific requirement.</p>	<p>FC = IP66 Flameproof pressure switch, ATEX, IECEx & PESO approved</p> <p>FE = IP66 Flameproof pressure switch, PESO approved</p>	<p>1 = Al. head 1/2" NPT threads</p> <p>2 = Al. head 3/4" NPT threads</p> <p>3 = Al. head M20 x 1.5 threads</p> <p>*4 = Grey Cl head 1/2" NPT threads</p> <p>*5 = Grey Cl head 3/4" NPT threads</p> <p>*6 = Grey Cl head M20 x 1.5 threads</p> <p>7 = SS head 1/2" NPT threads</p> <p>8 = SS head 3/4" NPT threads</p> <p>9 = SS head M20 x 1.5 threads</p> <p>*Not available in FE models</p>	<p>P1 = pressure switch, fixed differential without scale</p> <p>P2 = pressure switch, fixed differential with scale in mbar</p> <p>P3 = pressure switch, fixed differential with scale in "VVC</p> <p>For adjustable differential please select microswitches A6 or C6 in group 6</p>	<p>N02 = (1.5 - 15)</p> <p>N03 = (5 - 25)</p> <p>N05 = (10 - 50)</p> <p>N10 = (10 - 100)</p> <p>N15 = (10 - 150)</p> <p>N25 = (20 - 250)</p> <p>N35 = (50 - 350)</p>	<p>A1 = General purpose microswitch rated at 15 A; 250 VAC</p> <p>*A6 = elements with adjustable deadband</p> <p>*A7 = 2SPDT switching elements</p> <p>A8 = General purpose microswitch rated at 5 A, 250 VAC; 5 A, 28 VDC</p> <p>*B7 = 2SPDT Switching Elements</p> <p>C6 = 1SPDT Adjustable Differential</p> <p>Please refer to page nos. 120 & 121 for options and specifications of microswitches * Please contact sales office for additional information</p>	<p>S1 = SS316 / 1/4" BSP(F)</p> <p>S2 = SS316 / 1/4" NPT(F)</p>	<p>0 = Neoprene</p> <p>1 = PTFE</p> <p>2 = SS316L</p>												
<p>Approx. switch weight in Kgs</p> <table border="1"> <thead> <tr> <th>Enclosure</th> <th>FC</th> <th>FE</th> </tr> </thead> <tbody> <tr> <td>Aluminium</td> <td>3.950</td> <td>3.450</td> </tr> <tr> <td>Grey Cl</td> <td>6.350</td> <td>5.850</td> </tr> <tr> <td>SS</td> <td>6.450</td> <td>5.950</td> </tr> </tbody> </table>	Enclosure	FC	FE	Aluminium	3.950	3.450	Grey Cl	6.350	5.850	SS	6.450	5.950						More options available, please contact sales office	
Enclosure	FC	FE																	
Aluminium	3.950	3.450																	
Grey Cl	6.350	5.850																	
SS	6.450	5.950																	

eg. Flameproof switch for gas group, with 1/2" NPT cable entry in aluminium housing as 1SPDT pressure switch, fixed differential without scale, having 5 mbar to 25 mbar pressure range, with 15Amp. microswitch, SS316 pressure housing with 1/4" BSP port size & neoprene diaphragm shall be specified by

Group 1	Group 2	Group 3	Group 4	Group 5	Group 6	Group 7	Group 8
<input type="checkbox"/>	FC	1	P1	N03	A1	S1	0

Please specify full model number to avoid ambiguity.

LOW RANGE HIGH PROOF PRESSURE SWITCHES

FC/FE